

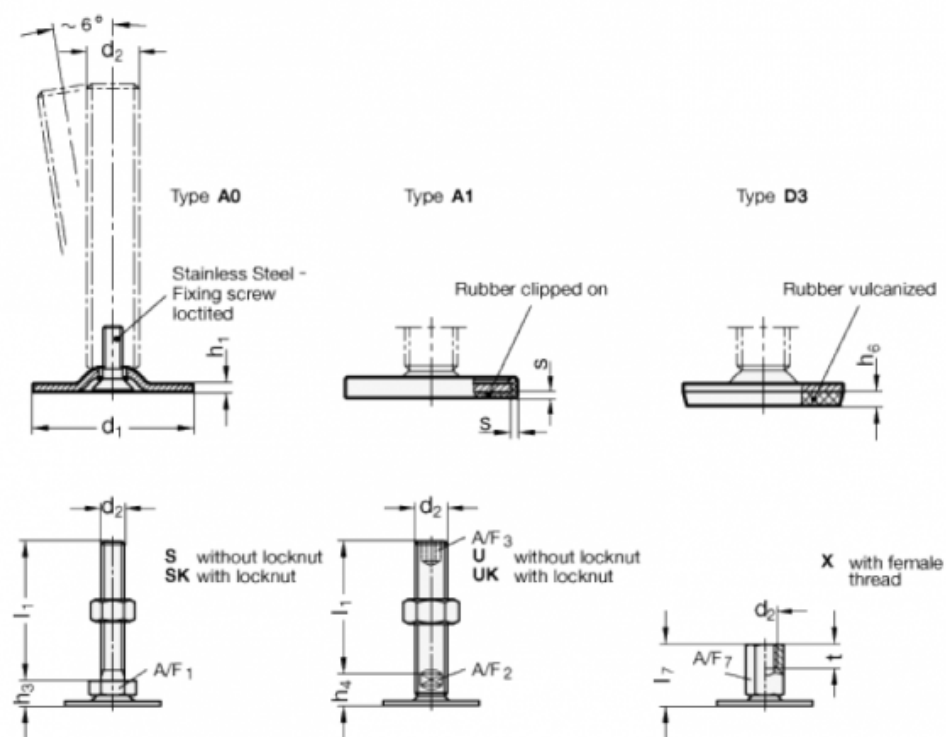
Article number: 204080M1029A1X

Description: E+G levelling foot

GN 40-80-M10-29-A1-X

Note: X With female thread, External hexagon

## Measures



A/F7	= 14
d1	= 80
d2	= M10
h1	= 3
h6	=
l7	= 29
s	= 2
t	= 10